



SPECTRUM



The Voice of the Humble Electron

Founded 1962

PRESIDENT'S MESSAGE: This is **The Bruce N1IX** – well winter finally arrived with **Bill Hayden N1FRE** measuring 14 inches of snow in Whitman during the blizzard of Sunday February 12th and we experienced freezing temperatures during the last week of February.



The Taunton RACES volunteers finished up a six week workshop on Emergency Communication, that was presented by the local Amateur Radio Emergency Services (ARES) staff. **Paul Burbine N1VTI** attended the HAMCATION in Orlando, Florida and brought home some goodies. Congratulations to **Phil McNamara N1XTB** who upgraded to Extra Class.

In March several members attended RADIOGRAM training at the Taunton and Whitman EOCs. **Carlos Wharton WP4US** started teaching Technician classes in Taunton with about 20 students. Come to the next meeting and learn all about the ARES, RACES and SKYWARN activities in the South Shore area from **Carl Aveni N1FY**.

NOW YOU'RE TALKING

TECHNICIAN LICENSING

CLASSES ARE UNDER

WAY IN TAUNTON

Carlos Wharton WP4US is shown teaching a Technician Licensing Class in Taunton that is being presented by the Whitman Amateur Radio Club and the Taunton Emergency Management Agency. **Don Burke KB1LXH** is seen operating the Power Point slide presentation.



Technician Classes in Taunton

Arrangements to hold the classes at the City of Taunton DPW facilities on Ingell Street on Thursday nights were made by **Rick Ferreira KB1KWF** – the Director of the Taunton Emergency Management Agency (TEMA). Some of the students are graduates of the Community Emergency Response Team (CERT) training held in Taunton over the past few years. The classes are open to the public. Other students are from neighboring Towns with a large contingency from Brockton, accompanied by **John Mahon N1PYN**, the Brockton Radio Officer.

SECRETARY'S NOTES OF THE MEETING OF March 1, 2006 de KB1CYV

OPENING: The members started gathering at the Whitman Public Library, Whitman, MA around 6:15 P.M. **Vice President Bill N1FRE** opened the meeting with a roll call at 6:40 P.M.

ATTENDANCE: Twenty-one members/guests were present, including three elected officers and two directors. A quorum was present.

N1FRE	Bill Hayden	KB1CYV	Roy Logan	N1ZZN	Jeff Lehmann
N1EY	Bill O'Hara	N1NTZ	Ed Meehan	N1VTI	Paul Burbine
KA1PJX	Don Keene	KB1ETW	Jim Halpin	SWL	Jay Freeman
SWL	Dylan Freeman	KB1MTW	Paul Moss	KB1KFF	Jim Kenworthy
KC1FZ	George Davis	KB1MJL	Al Marshall	N1WIG	Sam Webber
KB1MTV	Erika La Flamme	KB1MTX	Cathy Costello	N1SOM	Jeff Tracy
N1PXX	Ron Smith	KB1BTS	Priscilla Imhoff	K1XRB	Peter George

TREASURER'S REPORT: The treasurer's report for February was read by **Jeff N1SOM**. **Ed N1NTZ** made a motion seconded by **Paul N1VTI** that the treasurer's report be accepted as read. The motion was approved.

SECRETARY'S REPORT: A motion was made by **Ed N1NTZ** seconded by **Jim KB1ETW** that the secretary's report be accepted as published in the Feb. Newsletter. The motion was approved.

OLD BUSINESS: **Jeff N1ZZN** reminded the group that the next flea market is March 26 at Framingham, followed by Hosstraders on May 5-6.

NEW BUSINESS: **Paul KB1MTW** reported a new 440 MHz REPEATER in West Bridgewater is operational and may be accessed on 449.275 MHz with a PL of 103.5. **Jeff N1ZZN** has purchased a 220 repeater, which is located in Norwell. Specs are 224.06 MHz with a PL of 103.5. **Jeff N1SOM** will investigate CD rates at local banks, as renewal is upcoming. **Paul KB1MTW** proposed that the club consider participating in an Old Colony Boy Scout program at Stonehill College on June 10. **Bill N1FRE** agreed to a WARC demonstration, similar to the Marshfield Fair event.

CLUB ANTENNA ANALYZER LOCATION: **Bill N1FRE**

NEW MEMBERS: **Ed N1NTZ** made motions seconded by **Paul N1VTI** that the following HAMS are accepted as members of the WARC:

Erika La Flamme KB1MTV and **Bob Schmitt KB1MTY** as one-year dues-free members. Both motions were approved. Welcome to the WARC!

TECHNICAL TOPICS: **Paul KB1MTW** demonstrated the 2-meter J-Pole he recently fabricated. Coverage has been excellent and allows him to check-in to the Sunday Net from his armchair.

NET CONTROLS: 3/5 **Bill N1FRE** 3/12 **Jeff N1SOM** 3/19 **Bruce NI1X** 3/26 **Roy KB1CYV**
Experienced net control operators will gladly assist anyone interested in running a net.

CLOSE: Following a "Radioactive Roundtable" **Bill N1FRE** closed the meeting at 7:28 P.M.

NEW MEMBER: Bob Schmitt KB1MTY lives in Whitman where he is the Director of the Whitman Emergency Management Agency.



Bob Schmitt KB1MTY

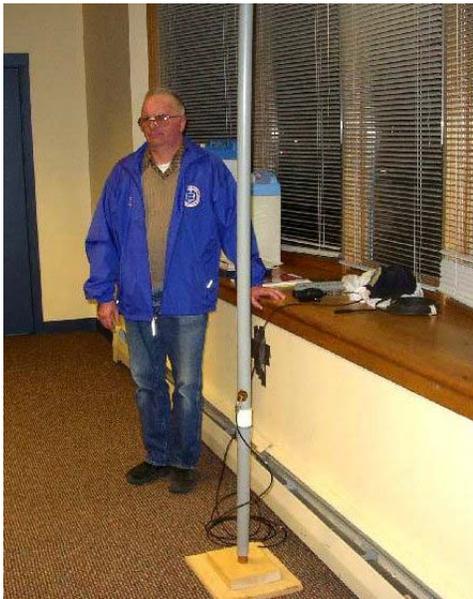
Under **Bob's KB1MTY** direction, the Town of Whitman has followed up CERT training with Amateur Radio Classes and is putting together a team of Radio Amateur Civil Emergency Service (RACES) and Community Emergency Response Team (CERT) volunteers for the Town of Whitman Emergency Management Agency.



NEW MEMBER: Ericka La Flamme KB1MTV lives in Whitman and is a Community Emergency Response Team (CERT) trained volunteer and a Radio Amateur Civil Emergency Service (RACES) volunteer for the Town of Whitman Emergency Management Agency.

Ericka La Flamme KB1MTV

TECHNICAL TOPICS - A PORTABLE J - POLE ANTENNA By: Paul Moss KB1MTW



Paul Moss KB1MTW

Paul Moss KB1MTW brought his 2-Meter / 440 MHz low cost J-Pole antenna to the March meeting for Show and Tell.

The J-Pole antenna theory and construction details are available in a two-page handout reprinted from the September 1994 issue of QST magazine. Three of the diagrams from the handout are shown here. A great project.

You can roll the antenna up and take it with you in a Go-Kit or you can do what **Paul KB1MTW** did and wrap the antenna in water pipe insulation and stuff it in a piece of PVC tubing and build a floor mount for indoor vertical use.

Pg. 3

AMATEUR RADIO EMERGENCY SERVICE (ARES) - UPDATE

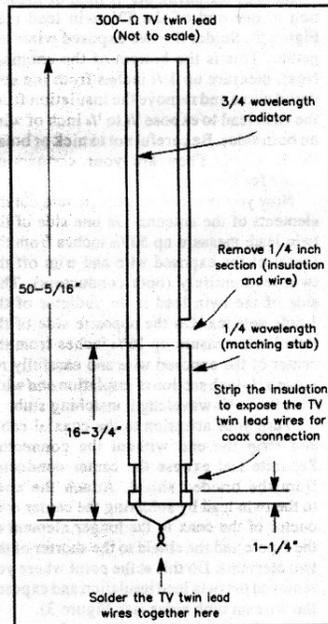


Figure 2—The basic J-pole layout. Note the areas where insulation and/or wire must be trimmed.

September 1994 61

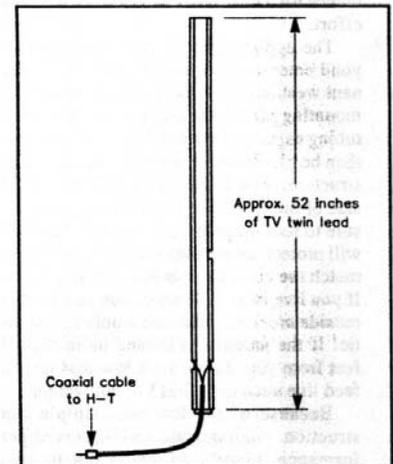


Figure 1—The J-pole antenna is approximately 52 inches long and may be hung from just about anywhere.

portable

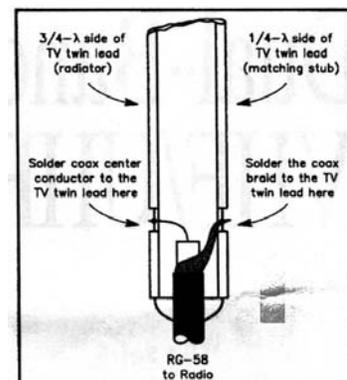


Figure 3—The coaxial feed line is connected directly at the antenna. Be careful to observe that the center conductor is soldered to the side of the TV twin lead with the longer conductor. The braid is connected to the side with the shorter conductor.

THE BLIZZARD OF FEBRUARY 12, 2006

TAUNTON STORM VOLUNTEERS



Shown at the Taunton Emergency Operations Center during the blizzard conditions of February 12, 2006 are L. to R. **David Souza SWL**, **Richard Ferreira KB1KWF** Director of TEMA, **Scott McMillan SWL**, **Peter Ferreira KB1LXG** Asst Director of TEMA and **Bruce Hayden N1IX**. The Taunton EOC was open for 4 – ½ hours – no real problems.



The Taunton Storm Crew

ARES COMMAND CENTER ACTIVATED AT THE BRIDGEWATER EOC

Club member **Joe Serrilla W1JOE** is shown helping **Carl Aveni N1FY** staff the Bridgewater Emergency Operations Center during the February 12, 2006 blizzard. **Carl N1FY** activated the Bridgewater EOC as the ARES Command Center for this area. **Carl N1FY** and **Joe W1JOE** put in some long hours and helped coordinate SKYWARN reporting in the area.

It was interesting to note that Echolink was in widespread use as area HAMS connected to WX1BOX through the New England Network to give their SKYWARN reports.



Joe Serrilla W1JOE

Carl Aveni N1FY

In Whitman, **Bill Hayden N1FRE** reported that a shelter was made ready Saturday afternoon, which included handheld transceivers being charged on location. The volunteers were instructed to stand by at home in case a shelter was activated. During the event, on going weather related SKYWARN weather information for Whitman was reported via amateur radio by **Bill N1FRE**.

FLORIDA HAMCATION By: Paul Burbine N1VTI

Paul Burbine N1VTI combined a trip to Orlando, Florida to visit family with a visit to the HAMCATION where he picked up a YAESU FT-60 handheld transceiver and a ALS – 600 watt amplifier. The HAMCATION was reported as a “National – scale event, not quite Dayton, but really big”.



Paul N1VTI in Florida



Paul's N1VTI new amplifier

Pg. 4

SCUTTLEBUTT - SCUTTLEBUTT AND MORE SCUTTLEBUTT



Al Molan N1JXS reports he has been radioactive in 2006 - "by putting up a sort of 40 meter dipole (it is cut somewhere in the 40 meter band and works well), built a 13.8VDC/10 Amp power supply out of junk parts for my HTX-10 so I can use it in the house (someday) and just completed a CW decoder for code practice (it was shown in the August 1999 QST)".

The Bruce N1IX attended the Antique Radio Flea Market in Westford where he picked up another radio that glows in the dark. **The Bruce N1IX** also responded to one Plimoth Plantation 2005 Special Event Certificate request and three Marshfield Fair 2005 Special Event QSL card requests in February.

John Coombs WQ1L has built another 2-Meter / 440 MHz antenna that **Paul N1VTI** wants to include in his "Go Kit". The outside two elements are $\frac{3}{4}$ and $\frac{1}{4}$ wavelength at 2-Meters. The middle and right side elements are $\frac{1}{4}$ and $\frac{3}{4}$ wavelength at 440 MHz. The right hand element is common to both frequencies and is insulated from the mounting bracket and is the driven element to which the coax cable is connected. See **John WQ1L** for dimension details.



John Coombs WQ1L



A ROAD TRIP TO THE CANDY STORE

Don Burke KB1LXH reports that a group of Taunton RACES volunteers spent one Saturday afternoon on a road trip to the Candy Store in Salem New Hampshire. " Good fun was had by all. Everyone left with a little something, mostly new mobile antennas and other HAM related trinkets. In the photo are L. to R. **Dick Sproul KB1MBW, Don Burke KB1LXH, Carlos Wharton WP4US, John Miller N1UMJ** and **Neil Harrington KB1LXL**.

K1USN RADIO CLUB - NEW HOME - **Pi Pugh K1RV** reports that the **K1USN** Radio Club has a new home in the new Watson Library Research Center on Quincy Ave in Braintree. The **K1USN** crew has secured permission to install a tower and rotatable beam at the facility.

ANTIQUA RADIO FLEA MARKET – APRIL 22ND - Nashua, NH \$5.00 @ 8 a.m. \$2.00 @ 9 a.m.

WHITMAN AMATEUR RADIO PUBLIC SERVICE NET (WARPSN)

The **WARPSN** NET meets every Sunday morning at 8:30 a.m. on the Whitman REPEATER 147.225 MHz PL 67. Come join in and share your amateur radio related activities with the other area HAMs and short-wave listeners as well.

As part of our training, we encourage everyone to practice sending routine RADIOGRAM messages. In February we had four (4) sessions with an average of 13 area HAMs checking in each week and 9 messages were sent.



**Checking in
with WA1NPO**

Shown at the Whitman EOC just after the March RADIOGRAM Training session are L. to R. **Bill Hayden N1FRE**, **Bob Schmitt KB1MTY** – the Whitman Emergency Management Agency Director, **Jeff Tracy N1SOM** – the Net Control Operator for the night and **Paul Moss KB1MTW**.



The Whitman RACES volunteers

MONTHLY ARES NET: Following the Monthly Radiogram Training there is an ARES Net which ties several area REPEATERS together. The REPEATER in this area is the Norwell 2-Meter REPEATER on 145.250 MHz PL 77. **Carl Aveni N1FY** was the Net Control in March and **The Bruce NI1X** checked in and heard club members **Jeff Lehmann N1ZZN**, **Gil Follett W1GMF** and **Don Burke KB1LXH** check in also. **Dick Sproul KB1MBW** reported he was trying to check in but was experiencing an equipment malfunction.

Shown at the Taunton EOC just after the March RADIOGRAM Training session are L. to R. **Don Burke KB1LXH** - the Net Control Operator for the night, **Bruce Hayden NI1X**, **Peter Ferreira KB1KXG** – the Assistant Director of the Taunton Emergency Management Agency (TEMA) and **George Pereira KB1KZV**.



The Taunton RACES volunteers

Listen in on the first Monday of the month at 7:30 pm on the Taunton REPEATER 147.135 MHz PL 67 or at 8:00 pm on the Norwell REPEATER 145.250 MHz PL 77 and copy the four messages.

QSL CARD DISPLAY HANGER

After circling the radio room with QSL card holders and finally running out of wall space, **The Bruce NI1X** decided it was time to condense the display. When mounted individually on the wall, each QSL card holder displays 20 QSL cards.

The QSL card display holders are now stacked one in front of the other on rods that protrude out from the wall. Each QSL card display holder holds 20 QSL cards on each side and now contain 40 QSL cards per holder.



NEED BATTERIES FOR YOUR HANDHELD ??

ADVANCED BATTERY SYSTEMS, INC. Batteries for Electronics – 310 Tosca Drive – Stoughton, MA. 02072. Web page www.advanced-battery.com Order online : www.batteryprice.com

HOSSTRADERS - May 5th & 6th - Hopkinton, NH

This photo was taken at the sixth and final ARES Emergency Communication Workshop held at the Taunton Emergency Operations Center (EOC).



Shown standing L. to R. are **Dan Howard K1DYO**, **Frank O’Laughlin WQ1O**, **Peter Ferreira KB1LXG**, **Rudy Burer KB1LXI**, **Dave Drowe KB1KYZ**, **Bruce Hayden N1X**, **Mike Cote KB1KZY**, **Rob Macedo KD1CY**, **Bob Barbour K1BAR** and **Rick Ferreira KB1KWF**.

Shown seated L. to R. are **Don Burke KB1LXH**, **Carlos Wharton WP4US**, **Neal Harrington KB1LXL**, **David Souza SWL** and **George Pereira KB1KZV**.

Sixth night Training Workshop

Week 6 - **Frank O’Laughlin WQ1O**, the Cape Cod ARES District Emergency Coordinator and **Dan Howard K1DYO** gave a presentation on Go Kits that was very interesting.

In Week 5 **Carl Aveni N1FY** had given a presentation on the Incident Command System (ICS).

In week 4 **Gil Follett W1GMF** had given a presentation on PACKET radio and the other forms of digital communication available. **Gil W1GMF** also explained the extensive PACKET radio network he has helped develop in Southeastern Massachusetts.

In week 3 **Gil Follett W1GMF** and **Jim Ward N1LKJ** had given a presentation on the National Traffic System (NTS) and the use of the standard ARRL NTS message format.

In week 2 **Rob Macedo KD1CY** had given a presentation on Emergency Communications applications of Voice over Internet Protocol (VoIP) explaining the current use of Echolink and the Internet Radio Linking Project (IRLP). **Rob KD1CY** finished up by explaining the New England Network applications for ARES and SKYWARN.

In week 1 **Rob Macedo KD1CY** had given an overview presentation on Amateur Radio Emergency Services (ARES) activities in the South Eastern Massachusetts area.

ARES “Go-Kit” Items

“Safety Kit” for Essential personal needs and safety, Should be available at all times. Can be stored internally within “24 Hour Kit” or stored in a separate container alongside it

No.	Quantity	Item	INV
1	1	AA LED Flashlight and extra batteries	
2	2	Food snacks and/or Emergency rations for 24 hours	
3	2	Water bottles (full) 12-16oz	
4	1	Appropriate clothing	
5	1ea	Ear, Eye (goggles), Hand protection (non-latex), Mask (N95+)	
6	1	First aid kit	
7	1ea	Sunscreen, insect repellent, sanitation supplies (toilet paper etc)	
8	1ea	Emergency Space Blanket and Rain Poncho	
9	1	Bottle of Tylenol 500mg	
10	1	Work Gloves	
11	4	2 Light Sticks	
12	1	Emergency Whistle	
13	3ea	Zip-Lock bags and Large trash bags	
14	1	Medications for 72 hours	
15	1	Bottle of Emergency Eye Wash	
16	1	Cover-alls	
17	1	Water Purification tablets w/taste softener	
18	1	Anti-Bacterial soap or Hand Sanitizer	
19	1	Small amount of cash (eg. 35.00)	
20	1	Leatherman type multifunction tool	

Frank WQ10 shared his personnel list of Go Kit items, that have been reprinted here, and then emptied his Go Kit boxes to showed us the items in his 24 hour operational kit. The boxes were full of a wide variety of connectors, chargers, batteries, radios, tools, food and safety items. We found many items were in plastic baggies to keep water out or in some cases to keep water or liquids in.

ARES "Go-Kit" Items 24 Hour Op Kit

"24 Hour Operational Kit" with "Safety Kit"

No.	Quantity	Item	INV
1	1	2m/440 Dualband HT or 2m HT, battery, charger, and AA cell pack	
2	1ea	Gain Antenna for 2m/440 HT: thin whip and thick whip type	
3	1	25+ watt 2m mobile radio or 2m/440 dual band mobile radio	
4	2-3	7-12ah Sealed Lead Acid Battery with DC charger	
5	1ea	2 pads of paper + 2 mechanical pencils	
6	50	Message forms	
7	1	ARES FSD Forms and Lists (Frequency list etc.)	
8	1	AA LED Flashlight or AA standard flashlight w/extra bulb	
9	1	FCC license and ARES ID	
10	1ea	Cell Phone with extra battery, AC and DC Charger (Dual Type)	
11	1	Leatherman Pocket Type Tool	
12	1	50' of coax cable RG-8X Type	
13	1	Package of extra fuses (3 of each type needed)	
14	1ea	Duct Tape and Electrical Tape	
15	1	Speaker Mic for HT	
16	1ea	Radio Manuals and Instructions (including cheat sheets)	
17	1	Clipboard	
18	1	14 Channel FRS Radios	
19	1	Battery powered LCD Clock with Alarm	
20	1	12A (mimum) 13.8vdc switching power supply	
21	3	Fused DC power cords with powerpoles (extension cables)	
22	1	DC power polarity tester (LED) with power poles	
23	1	Powerpoles to cigarette male	
24	1	Powerpoles to cigarette female	
25	1	Powerpoles to medium insulated alligators	
26	1	50' of rope or Dacron	
27	1	Set of 5 Velcro straps	
28	1	Pocket Digital Multi-Meter w/ batteries	
29	1ea	RG-8X Patch cables 2', 3', 4' and 12'	

No.	Quantity	Item	INV
30	1	3 prong AC grounded outlet to 2 prong AC adapter	
31	1	Roll up 2m or 2/440 J-Pole	
32	1	2 position coax switch	
33	1ea	36 pack of AA alkaline and 16 AAA Alkaline Batteries	
34	1	Emergency Cell Phone Charger (Alkaline Powered)	
35	1	Ground independent 2m/440 antenna w/ PL-259 mount EX-510	
36	1	Stainless Steel adjustable "Quick mount" SO-239 type	
37	1ea.	SAE + Metric Hex Key Set	
38	1	HT Boom Mic (optional)	
39	1	Window mount SMA	
40	1	Powerpole Distribution Box (1in-3 out) or Red-Dee type	
41	1-2	Fast/slow Combo 13.8V charger	
42	3	PL-258 Barrel connector	
43	1	SO-239 to BNC M adapter	
44	1	SO-239 to SMA M adapter	
45	1	PL-259 to BNC F	
46	1	BNC M to SMA F	
47	1	SO-239 to N (male)	
48	1	PL-259 to N (female)	
49	1 pkg	Nylon tie wraps assorted	

Finally, **Frank WQ10** showed us a Go Kit suitcase that contained a 2-Meter / 440 MHz VHF / UHF transceiver, plus an HF transceiver and a lightweight switching power supply - all mounted on wood with room for batteries, clipboard and message forms. Just connect an antenna and plug it in and you are ready to go. Add a TNC and bring along your portable computer and you have portable PACKET station.



Once again the Taunton RACES volunteers would like to thank **Rob Macedo KD1CY**, **Mike Neilson W1MPN**, **Carl Aveni N1FY**, **Gil Follett W1GMF**, **Jim Ward N1LKJ**, **Frank O'Laughlin WQ10** and **Dan Howard K1DYO** for volunteering their time and effort to present this very informative Emergency Communication Workshop in Taunton.

Frank O'Laughlin WQ10 and his HAM shack in a suitcase

One final note: The ARRL is reporting that the Department of Homeland Security is requiring all first responders, including volunteers, to complete training in the National Incident Management System (NIMS) by 2007. **Peter Ferreira KB1LXG** stated that all Taunton Emergency Management Agency volunteers will be expected to take ISC training in the future.



WHITMAN AMATEUR RADIO CLUB, INC.

A Non-Profit Corporation Serving the Public in Time of Emergency



Post Office Box 48
Pine Street
Whitman, MA 02382

Telephone: (781) 447-1655
ARRL Club #0082
Club Call Sign: WAINPO

CLUB OFFICERS

MEETING SCHEDULE

Meetings are held on the first
Wednesday of each month

The next meeting will be held at the
Whitman Public Library, which is
located at 100 Webster Street
in Whitman, Mass.

Next Meeting

Wednesday, Apr. 5th at 6:30 PM
Whitman Public Library

President	Bruce	NIIX
V. President	Bill	N1FRE
Secretary	Roy	KB1CYV
Treasurer	Jeff	N1SOM
Director	Steve	W1WSN
Director	George	KC1FZ
Director	Paul	N1VTI

Editor	Bruce	NIIX
E-mail articles to:	niix@arrl.net	

Web Master	Jeff	N1ZZN
------------	------	-------

Web Site: <http://www.wa1npo.org>

Club Repeater Station:	147.225 MHz (CTSS 67 Hz)	449.875 MHz (CTSS 88.5 Hz)
------------------------	--------------------------	----------------------------

*Whitman Amateur Radio Club, Inc.
P.O. Box 48
Whitman, Ma 02382*

